



8900 IS, ISJ ISH, ISJH



Surface closer

Installation instructions

Pull side stop IS arm regular mount

Push side stop ISJ arm top jamb mount

Pull side stop ISH arm regular mount, with hold open

Push side stop ISJH arm top jamb mount, with hold open

TABLE OF CONTENTS



Technical specifications	Size selection chart	
	Spring size chart	2
Closer setup	Surface closer system	
	Handing of the door	
	Tools recommended	3
Installation Instructions	Mounting surface closer & arm assembly (reg mnt)	
	Mounting backplate/drop plate (BP89) (top jamb mnt)	4
	Mounting surface closer & arm assembly (top jamb mnt)	5-6
Adjustments	Setting the hold open (ISH & ISJH)	
	Adjusting the closing speeds	7
Installing the closer cover	Installing the full cover (only)	7

Technical specifications

Size selection chart

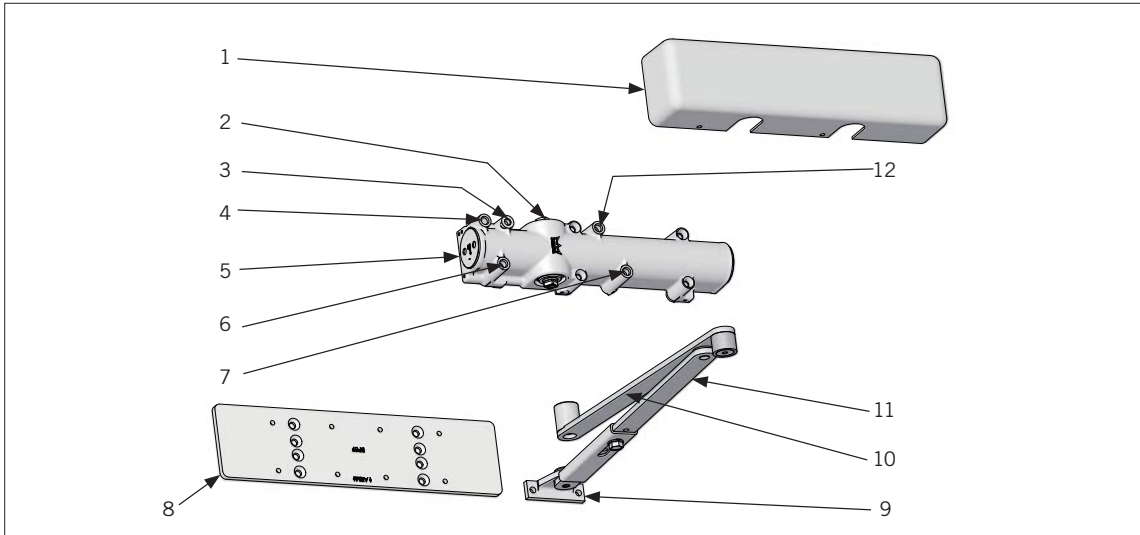
Arm	Closer	Interior/ Exterior	Door Width						
			2'-0"	2'-6" max.	3'-0" max.	3'-6" max.	4'-0" max.	4'-6" max.	5'-0" max.
IS, ISH, ISJ, ISJH	8916	Interior	•	•	♿	♿	♿	♿	NA
		Exterior	•	•	•	•	•	•	NA
	8956	Interior	NA	NA	NA	NA	•	•	•
		Exterior	NA	NA	NA	•	•	•	NA

Spring size chart

Regular & top jamb closers			
Maximum size of door width			
Closer size	Interior	Exterior	Full turns
1	28"		
2	34"	28"	-19 CCW
3	38"	30"	-11 CCW
4	48"	36"	0 turns
5	54"	42"	+5 CW
6	60"	54"	+13 CW

8900 IS, ISH, ISJ, ISJH

- ⚠ Follow included template to properly prepare door frame for all accessories of the closer installation.
- ⚠ Know the swing of the door which is being installed prior to installation.
- ⚠ Verify closer spring size prior to installation. See "Spring size chart" on page 2.
- ⚠ Make sure door efficiently operates prior to installing closer.

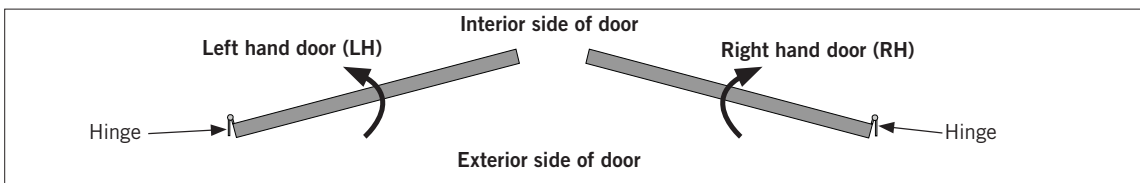


Surface closer system

The closer is comprised of the following components.

- | | |
|-----------------------------------|---------------------------|
| 1. Cover | 7. Backcheck adjustment |
| 2. Pinion | 8. Optional backplate |
| 3. Delayed action adjustment | 9. Bar/shoe assembly |
| 4. Latch speed adjustment | 10. Main arm |
| 5. Closer body | 11. Connecting arm |
| 6. Closing/sweep speed adjustment | 12. Backcheck positioning |

Handing of the door



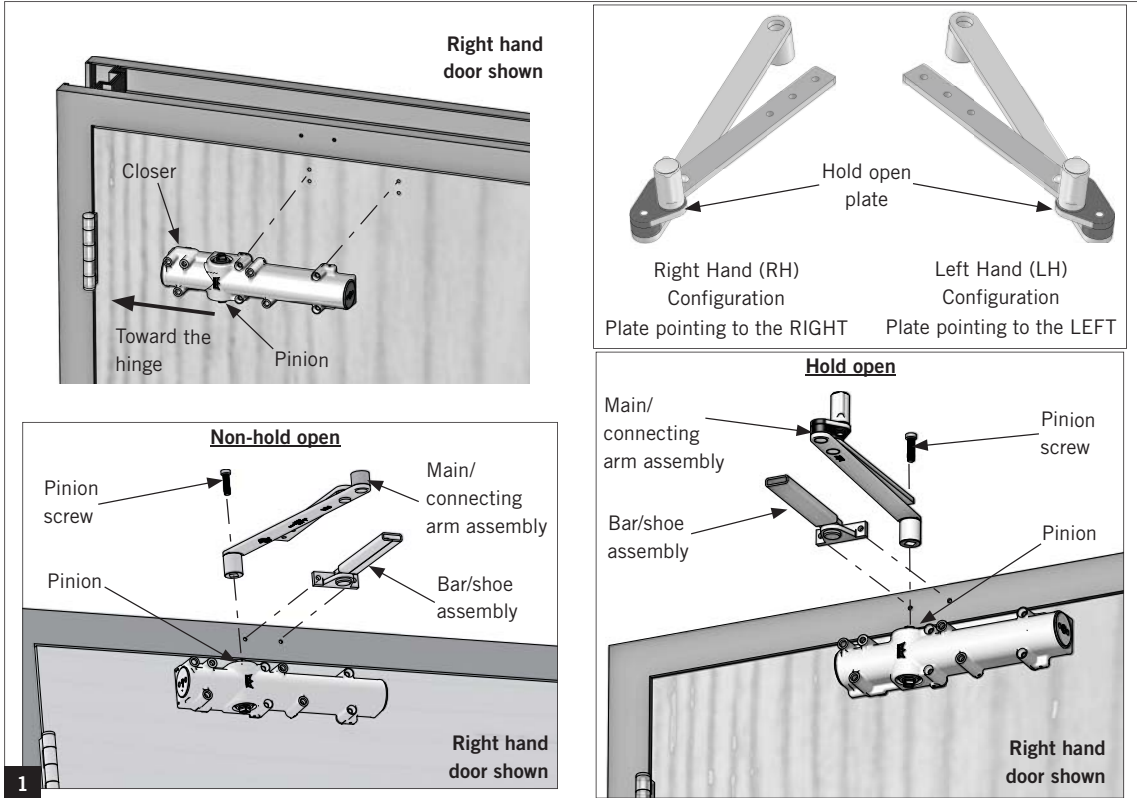
Tools recommended

- Drill Bits
 - Metal: 7/32" & 1/4-20 tap
 - Wood: 5/32"
 - DPK: 1/8"
 - Sex nut: 3/8"
- #3 Phillips screwdriver
- 1/2" or 13mm box wrench
- 10" adjustable wrench
- 3/16" hex key
- 5mm hex key (supplied)

8900 IS, ISH PULL SIDE, REGULAR MOUNT

Installation Instructions

Mounting the surface closer & arm assembly (reg mnt)



1.1 Secure closer body to door.

- Use four 1/4-20 x 2" PH flat head screws [#14 x 2-3/4" PH flat head wood screws] provided.

1.2 Secure the bar/shoe assembly to frame.

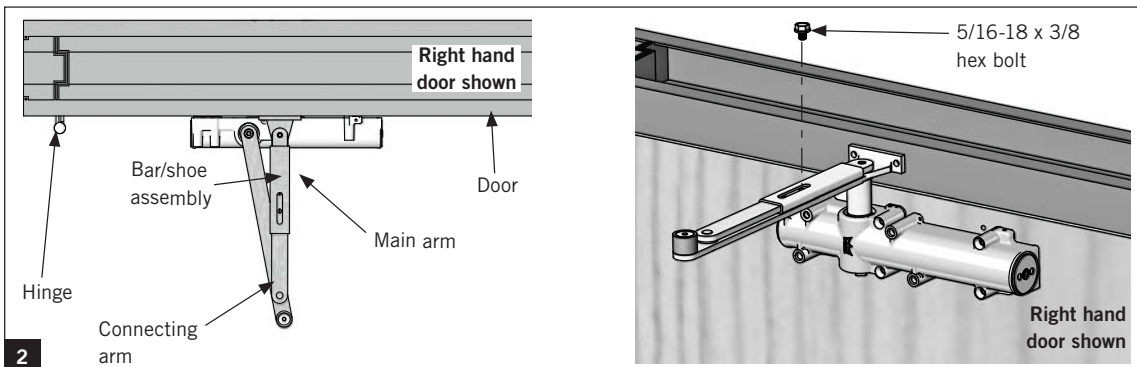
- Use two 1/4-20 x 5/8" Phillips round head screws [#14 x 1-1/4" round head wood screws] provided.

1.3 Secure main arm to operator pinion.

- Use a torque wrench (25 ft-lbs) and provided pinion screw [M8 x 30 socket head cap screw].

NOTE: To disassemble hold open plate:

- Remove both screws from bottom of plate using a 3/16" hex key.
- Keeping all washers in place, flip plate over to orient as per image above.
- Re-secure plate with both screws.



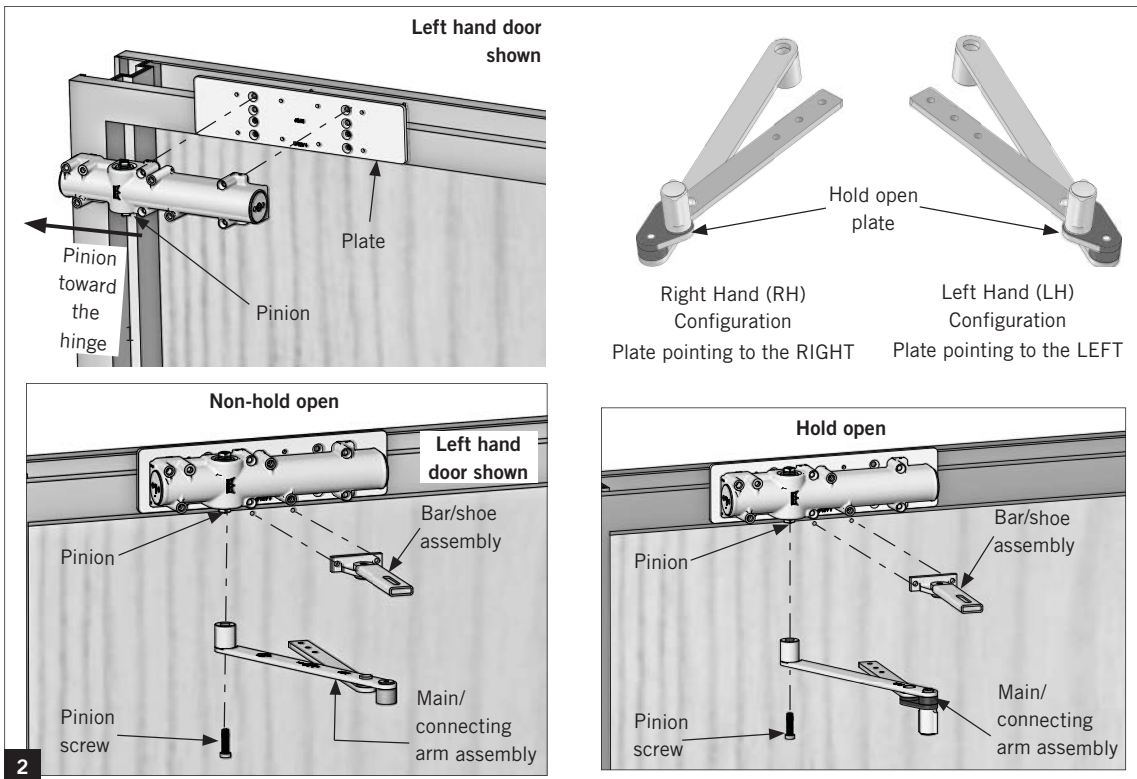
2.1 Slide end of connecting arm into end of bar/shoe assembly.

2.2 Secure connecting arm and bar/shoe assembly.

- Use provided fastener [5/16-18 x 3/8 hex bolt].

8900 ISJ, ISJH PUSH SIDE, TOP JAMB MOUNT

Mounting the surface closer & arm assembly (top jamb mnt)



2.1 Secure plate (BP89) to frame.

- Use four 1/4-20 x 5/8" flat head screws [#14 x 1-1/2 Phillips flat head wood screws] provided.

2.2 Secure closer body to plate.

- Use four 1/4-20 x 1-3/4" Phillips flat head screws provided with plate itself.

2.3 Secure bar/shoe assembly to mounting surface.

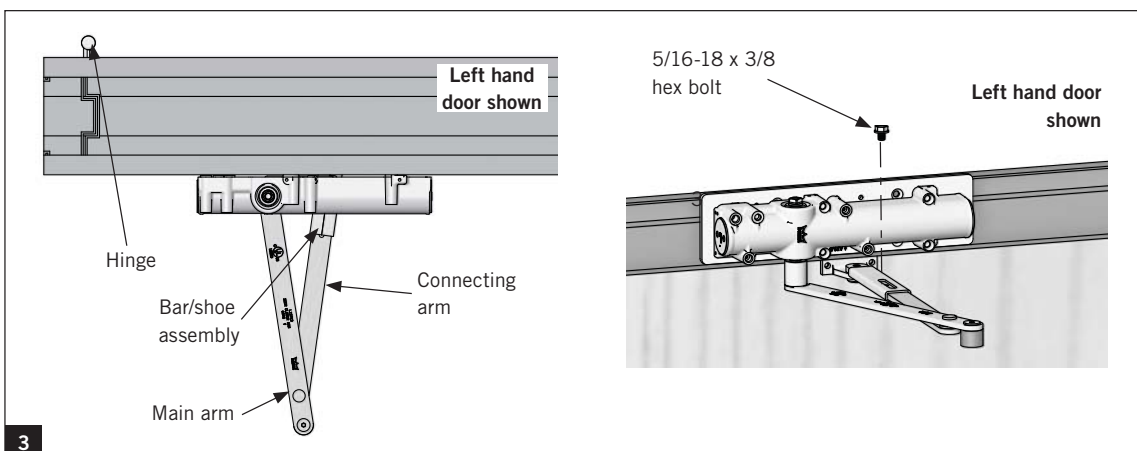
- Use two 1/4-20 x 5/8" PH round head screws [#14 x 1-1/4" round head wood screws] provided.

2.4 Secure main arm to operator pinion.

- Use a torque wrench (25 ft-lbs) and provided pinion screw [M8 x 30 socket head cap screw].

NOTE: To disassemble hold open plate:

- Remove both screws from bottom of plate using a 3/16" hex key.
- Keeping all washers in place, flip plate over to orient as per image above.
- Re-secure plate with both screws.



3.1 Slide end of connecting arm into end of bar/shoe assembly.

3.2 Secure connecting arm and bar/shoe assembly.

- Use provided fastener [5/16-18 x 3/8 hex bolt].

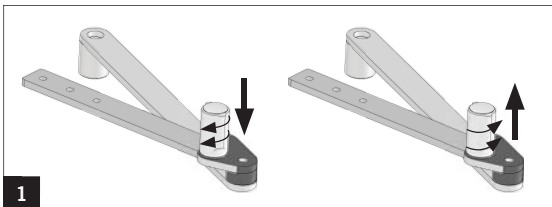
8900 IS, ISH, ISJ, ISJH CLOSER ADJUSTMENTS

Adjustments

- ⚠ Confirm closer spring size prior to making any closing speed adjustments.
- ⚠ Do not back valves out beyond closer casting.

- ⚠ Maximum opening angle is 110°.
- ⚠ Door should close in 3 to 6 seconds from 90°.

Setting the hold open (ISH and ISJH)



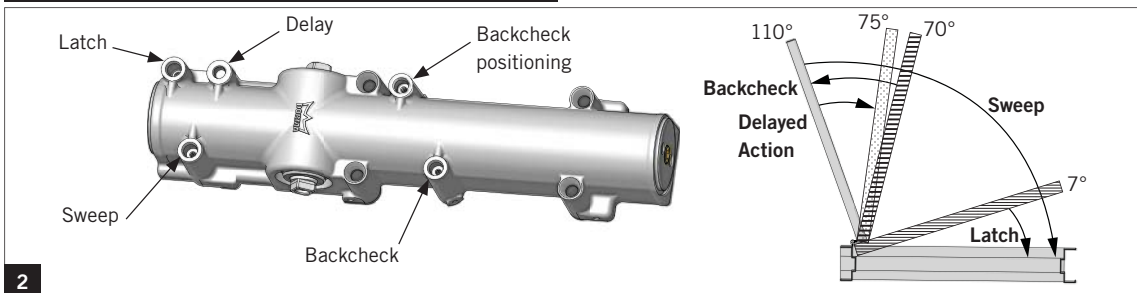
1.1 Enabling or disabling hold open.

- Twist hold open handle up or down to loosen or tighten, respectively, the hold open capacity.

1.2 Engaging or disengaging hold open.

- Engaging hold open: Push door open until hold open ball connects with detent in handle.
- Disengaging hold open: Pull door to pop hold open ball out of detent.

Adjusting the closing speeds: sweep, latch, and backcheck



2.1 Adjust **sweep speed** from 70° - 10°.

- Increase sweep speed: Turn valve counter-clockwise
- Decrease sweep speed: Turn valve clockwise

2.2 Adjust **latch speed** from 10° - 0°.

- Increase latch speed: Turn valve counter-clockwise
- Decrease latch speed: Turn valve clockwise

2.3 Adjust **backcheck** for the area from 110° - 70°.

- Increase resistance: Turn valve clockwise
- Decrease resistance: Turn valve counter-clockwise.

2.4 Adjusting **Backcheck positioning** will advance approximately 15° in the "ON" position. Shipped from factory fully "ON".

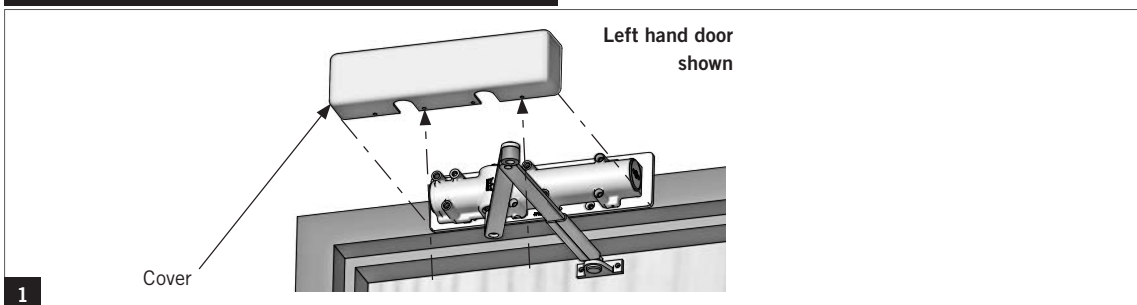
- Turn OFF: Rotate counter-clockwise
- Turn ON: Rotate clockwise

2.5 Adjust **Delayed Action** for the area from 110° - 75°.

- Increase delay: Turn valve counter-clockwise
- Decrease delay: Turn valve clockwise

Installing the closer cover

Installing the full cover (only)



1.1 Snap cover over closer body.



DORMA USA, INC.
DORMA DRIVE, DRAWER AC
REAMSTOWN, PA 17567
TOLL-FREE: 800-523-8483
FAX: 800-274-9724
E-MAIL: DORMAARCHITECTURAL@DORMA.COM
WWW.DORMA-USA.COM